

# Micro Signal Generator MSG



## Simulation of the acoustic watch signal

The **Micro Signal Generator MSG** is a small, rechargeable battery driven device, which simulates the sound of a mechanical watch. It has the size of a wrist-watch.

In this way, watch measuring instruments can be checked for their functional reliability.

In 10 different modes, parameters such as rate, frequency, lift angle, repère and amplitude can be adjusted.

The **MSG** is delivered with 10 standard modes or with customized modes.

The battery charging process takes place via USB interface of a PC.

## Witschi Electronic Ltd

Bahnhofstrasse 26 – 3294 Büren an der Aare – Switzerland  
Phone +41 (0)32 352 05 00 – [welcome@witschi.com](mailto:welcome@witschi.com) – [www.witschi.com](http://www.witschi.com)

# Micro Signal Generator MSG

## Technical Data

### Signal

Beat number: 3600 - 72000  
 Lift angle: 10° - 90°  
 Amplitude: 80° - 360°  
 Rate: 0 - ±999 s/d  
 Repère: 0 - 9.9 ms  
 Signal output: Crown, case

### Precision

≤ 1°  
 ≤ 1 s/d  
 0.1 ms

### Rechargeable Battery

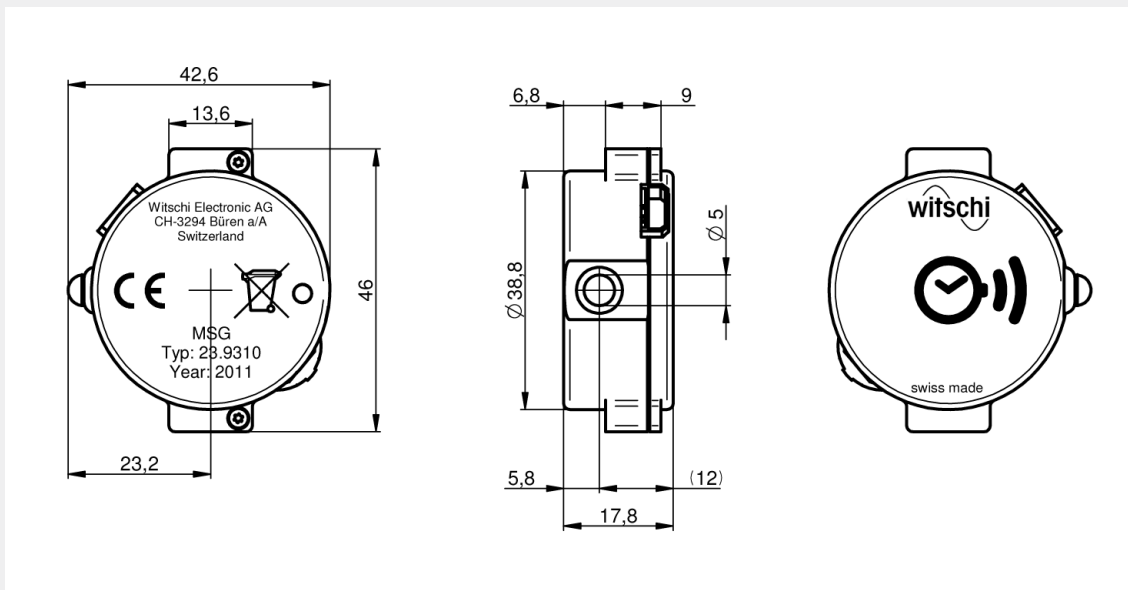
Lithium-battery, rechargeable via USB interface of a PC.  
 Durability: approximately 15 hours  
 Charging time: approximately 2.5 hours

### Test modes

10 modes with different parameters in accordance with following table.  
 Also with customized parameters programmable.

Mode	Beat number [a/h]	Lift angle [°]	Rate [s/d]	Repère [ms]	Amplitude [°]
0	18000	50	0	0.2	280
1	21600	50	-5	0.2	280
2	21600	50	0	0	300
3	21600	50	+5	0.2	320
4	25200	50	0	0	300
5	28800	50	-5	0.2	280
6	28800	50	0	0	300
7	28800	50	+5	0.2	320
8	36000	50	0	0	280
9	72000	50	0	0	220

## Dimensions



Technical details subject to changes

23.93D41d – 04/2015

### Witschi Electronic Ltd

Bahnhofstrasse 26 – 3294 Büren an der Aare – Switzerland  
 Phone +41 (0)32 352 05 00 – welcome@witschi.com – www.witschi.com