

Micro Signal Generator



Technical specifications

Signal output

Frequency:	3,600 – 86,400
Amplitude:	80° - 360°
Lift angle:	10° - 90°
Rate:	0 – ±99 s/d
Beat:	0 – 49 ms
Signal output:	crown, case or both

Accuracy

Rate X:	≤ 0.1 s/d
Amplitude X:	≤ 1°

Battery operating time:	approx. 15 h
Battery charging time:	approx. 2.5 h

Terminal

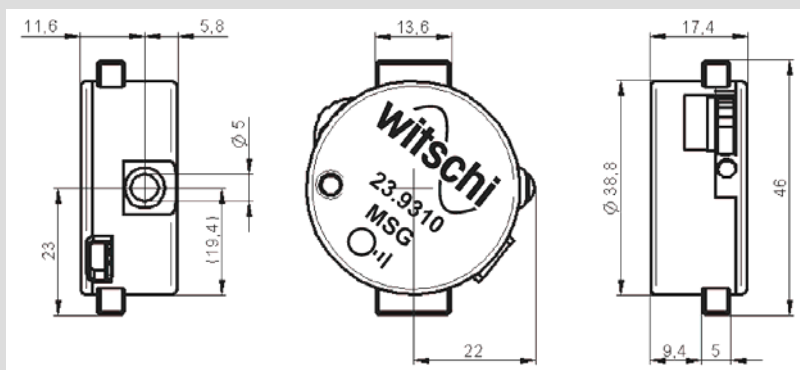
Language:	German, French, English
Calibration:	using the Calibration Time Base.

Description

The **Micro Signal Generator (MSG)** is a small, rechargeable battery driven device the size of a wristwatch, which simulates the sound of a mechanical watch.

In this way, watch measuring instruments can be checked for their functional reliability.

In 5 different modes, parameters such as rate, frequency, amplitude, lift angle and beat can be adjusted. This adjustment and the charging procedure can be undertaken using the terminal supplied.



Produkt

Item Nr.: **23.93**

Highlights

- Acoustic watch signal generator
- Small dimensions
- Integrated, rechargeable lithium ion battery
- High level of accuracy
- Simulation of the most varied watch signals
- Control of individual instruments or complete measuring lines possible